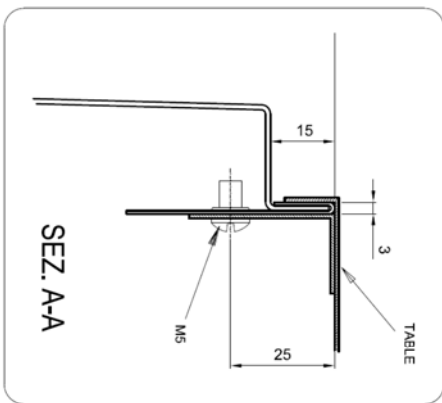
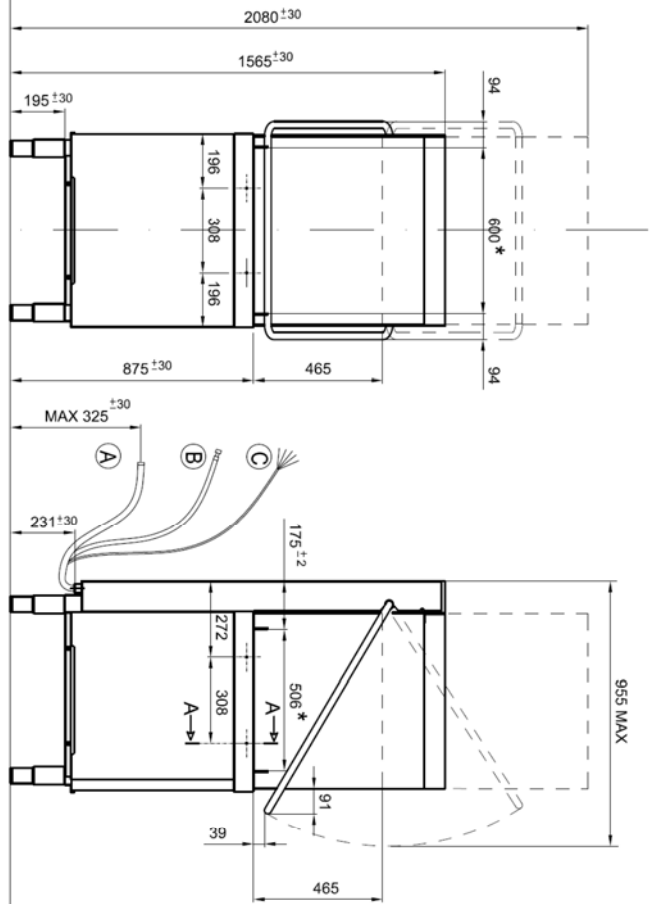
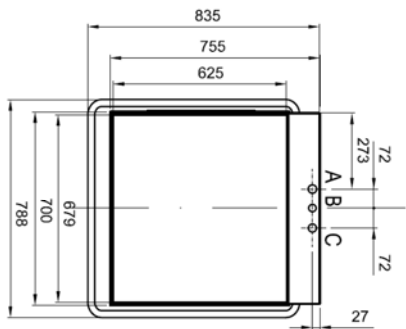


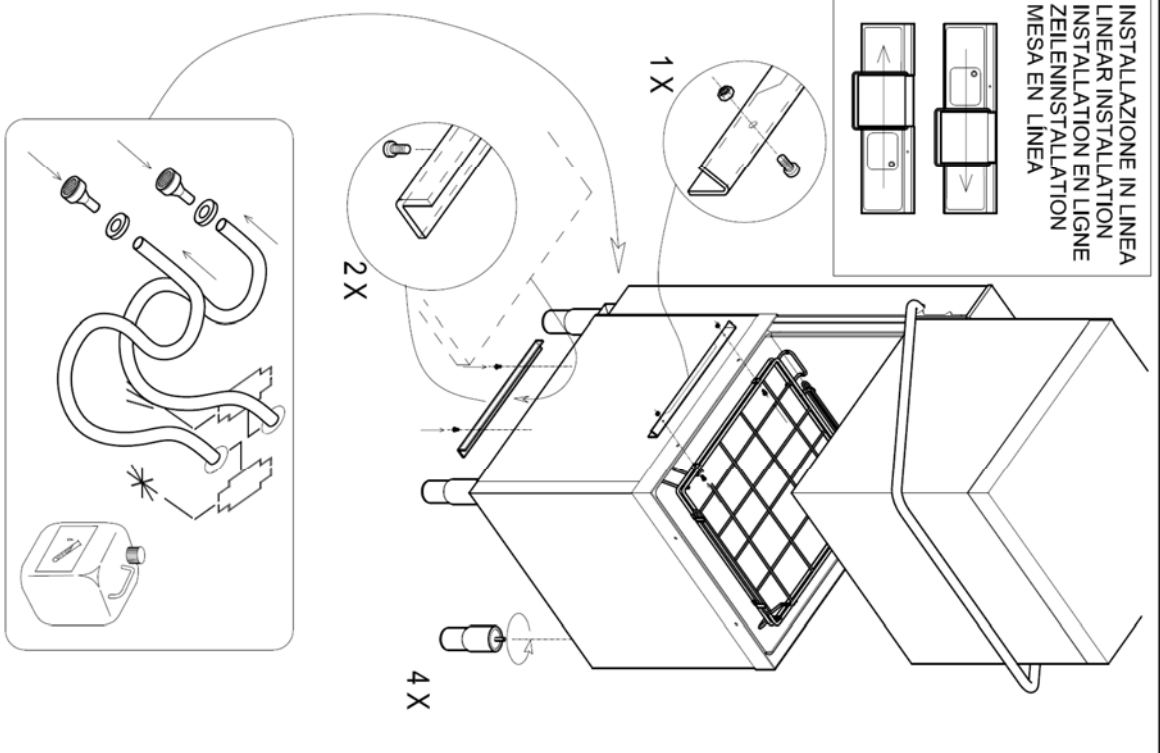
↓	Model	LCP4560ED	
	Code Production	TT3920INFCDD	
Interface :			
↕	Overall Dimension (Width-Depth-Height) *open	mm	788 - 835 - 1565(*2080)
	Packaging Dimension (WxDxH)	mm	870x830x1540
	Gross weight	Kg	130
	Net weight	Kg	120
	Volume	mc	1,10
□	Rack size	mm	500x600
	Max door /hood opening	mm	465
	Max glasses/plate Height	mm	440
	General construction		double skin
	Door/hood Construction		double skin
↘	Tank construction		fully deep drawn
	Tank volume	liter	30
	Tank heating element	W	2500
	Tank surface strainers		Yes-composite
⚙️	Wash pump type		double flow
	Wash pump power	W	1500
	Wash temperature	°C	60
↘	Boiler type		pressurized
	Boiler volume	liter	6
	Back-flow system		valve
	Boiler heating element	W	8000
⚙️	Rinse booster pump		no
	Rinse booster pump power	W	-
	Rinse temperature	°C	80
	Rinse water consumption	Liter /rack	2,6
	Optimal external water pressure	bar	2 - 4
🚰	Drain system		overflow
	Drain pump		optional
▶	Rinse aid dispenser	peristaltic	YES
	Detergent dispenser	peristaltic	YES
👤/👤	Wash cycle	sec	60 - 120 - 150 - continuous
⚡	Electric Power	W	9500
	Electric Connection	V - ph - Hz	400V 3N 50Hz
	Fuse	A	20
▶	Plates racks	n° 1	70180
	Flat Rack	n° 1	70181
	Cutterly Rack	n° 1	780081
	Electric cable	n° 1	YES
	Drain hose	n° 1	YES
	Fill hose	n° 1	YES

A		Ø 32 mm
B		G 3/4"
C		Power supply



*
 LUCE UTILILE PER CESTELLO
 USEFUL SPACE FOR BASKET
 LUMIERE OUTILIE POUR PANIER
 NUTZBARE OFFENUNG FÜR KORBE
 ABERTURA UTIL PARA CESTO

Designed by:	M.Pucci	Date:	03/12/2013	Designation:	Hood type	Code:	70990	Rev.:	02
--------------	---------	-------	------------	--------------	-----------	-------	-------	-------	----



INSTALLAZIONE IN LINEA
 LINEAR INSTALLATION
 INSTALLATION EN LIGNE
 ZEILENINSTALLATION
 MESA EN LINEA

